

## High-Performance Visual Collaboration

Whether stand-alone or seamlessly integrated with PTC® Windchill®, PTC® Creo® View™ Lite makes visual collaboration during the product lifecycle fast and easy for all.



# PTC® Creo® View™ Lite

## High-Performance Visual Collaboration

Whether stand-alone or seamlessly integrated with PTC® Windchill®, PTC® Creo® View™ Lite makes visual collaboration during the product lifecycle fast and easy for all.

PTC Creo View Lite removes the barriers to effective distribution of digital product data by providing all users, across the extended enterprise, with simple access to 3D models, 2D drawings, images and ECAD PCB's and Schematics. With its compact, yet accurate 3D viewable format, complex information can be quickly accessed to reduce rework and improve decision making.

### Key Benefits

#### Improve Productivity and Communication

- View and interrogate heterogeneous MCAD and ECAD datasets in a common, consistent User Interface across the enterprise
- Eliminate data interoperability issues by using one visualization tool
- Work faster through Microsoft Fluent User Interface

#### Improve Quality and Reduce Development Cost

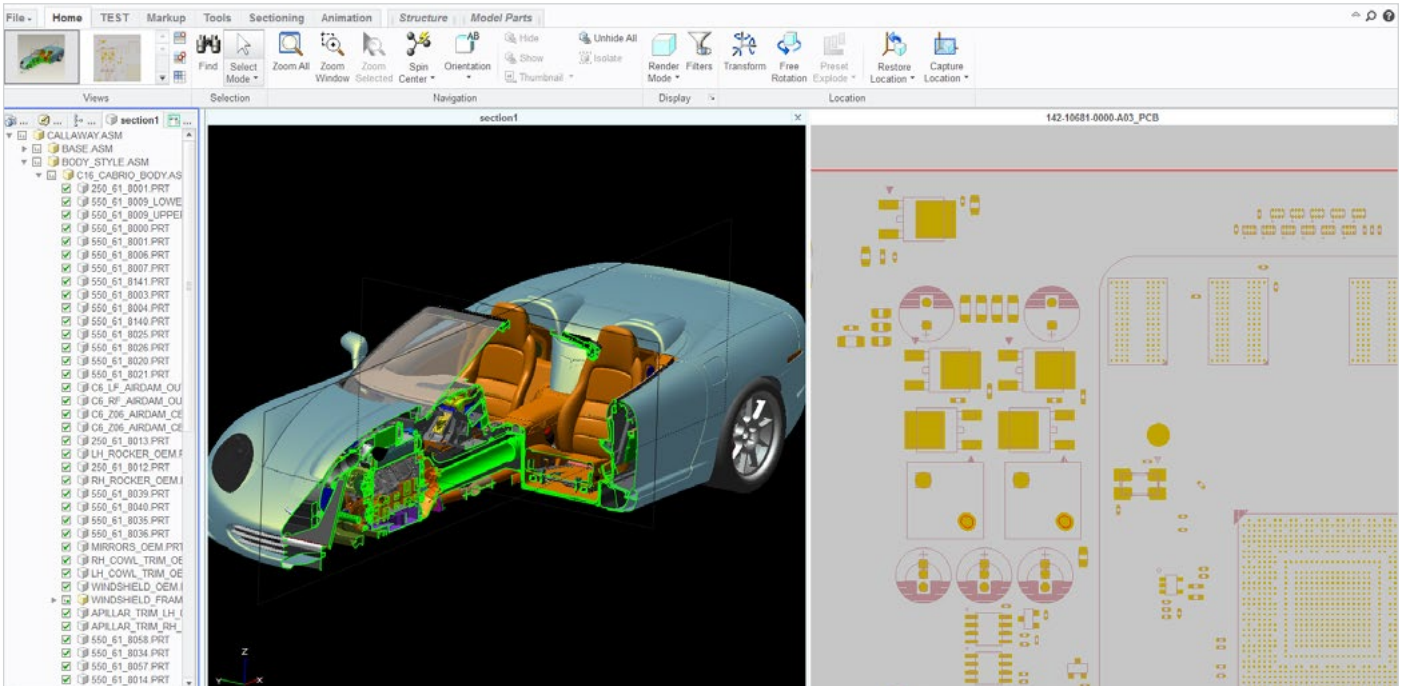
- Reduce the potential for rework through effective, collaborative markups of MCAD and ECAD design data
- Replace error-prone and inefficient paper-based processes with a review and tracking tool based on the 3D model
- Reduce errors by analyzing the Interferences early in the Product Development Cycle

- Enable all product stakeholders to review and provide feedback on product designs without requiring access to native MCAD or ECAD applications that created the data.
- Reduce IT overhead and maintenance with a single tool to view many types of detailed product data from heterogeneous data sources

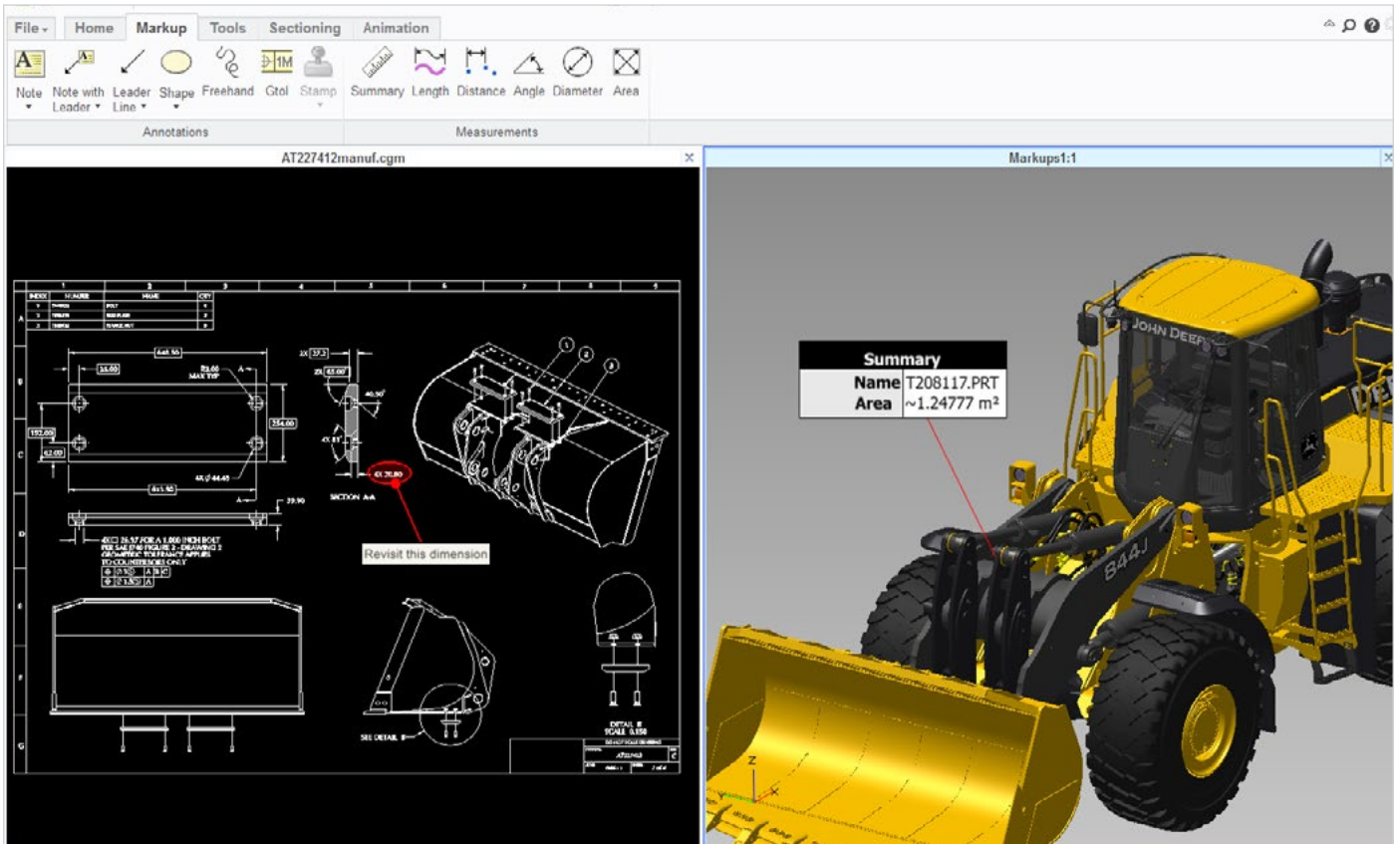
### Features

#### Simple and Powerful Viewer

- Supports a wide variety of 3D Model and Drawing formats including CGM, HPGL, DXF, DWF and DWG and ECAD formats such as ODB++, IPC-2581, Gerber, as well as the PTC .eda file format that can be generated from all major ECAD tools
- View and interrogate PMI – Product Manufacturing Information – including GD&T (Geometric Dimension & Tolerance) information and Pro/ENGINEER® 3D drawings
- Analyze visuals that incorporate related content, such as meta-data coming in from the CAD and Windchill
- Directly import PTC® Creo® Parametric™ files through PGL format
- Accurately measure from B-REP geometry
- Increase user understanding using tooltips and simple searching



PTC Creo View Lite allows all product stakeholders to review and provide feedback without access to the application that created the data. Image courtesy of Callaway.



View, measure and mark up models and drawings created from multiple CAD tools. Image courtesy of Deere & Company.

## Features [continued from previous]

- Common, consistent User experience across all the PTC Creo View editions (Creo View Express, Creo View Lite, Creo View MCAD, Creo View ECAD)
- Tightly integrated with PTC® Windchill® PDMLink®, PTC® Windchill® ProjectLink™ for visualizing light weight Creo View files from PTC Windchill
- Default visualization tool launched from a 3D thumbnail in PTC Windchill
- Powers the visualization of PTC Creo View technology embedded in Web pages, custom Java applications or Microsoft Office documents

## Effective Markup Tools

- Utilize a full set of markup tools for 3D models, 2D drawings, images and documents and ECAD PCB's and Schematics
- Check markups back into PTC Windchill
- Markups created using PTC Creo View Lite may be carried forward across revisions or iterations in PTC Windchill

## Superior Scalability and Performance

- Rapidly load and smoothly interact even with the largest models
- Render graphics faster – typically 10X faster than previous generations of PTC Creo View
- Reduced memory footprint through highly efficient memory usage

## Platform Specifications

**Operating Systems:** Microsoft® Windows®

**Browser:** Internet Explorer® and Mozilla® Firefox®

**Languages:** English, Chinese (Traditional), Chinese (Simplified), French, German, Italian, Japanese, Korean, Spanish, Russian

For the most up-to-date platform support information, please visit:

[PTC.com/partners/hardware/current/support.htm](http://PTC.com/partners/hardware/current/support.htm)

NOTE: The timing of any product release, including any features or functionality, is subject to change at PTC's discretion.

© 2013, PTC Inc. (PTC). All rights reserved. Information described herein is furnished for informational use only, is subject to change without notice, and should not be taken as a guarantee, commitment, condition or offer by PTC. PTC, the PTC logo, Windchill, and all other PTC product names and logos are trademarks or registered trademarks of PTC and/or its subsidiaries in the United States and other countries. All other product or company names are property of their respective owners. The timing of any product release, including any features or functionality, is subject to change at PTC's discretion.

J02522-PTC-Creo-View-Lite-EN-0813